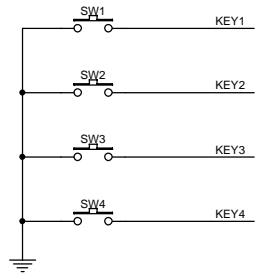
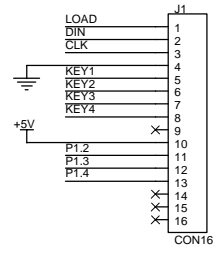
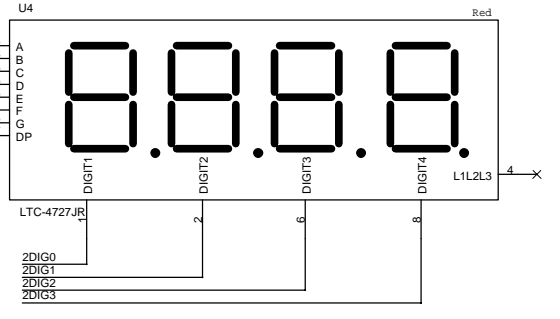
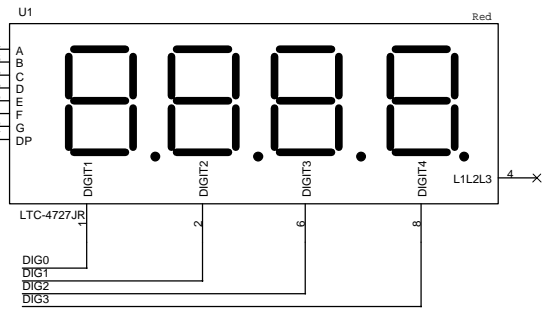
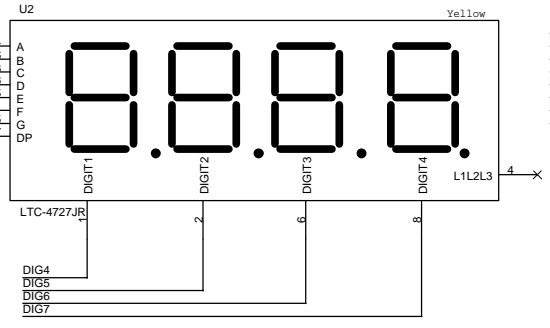
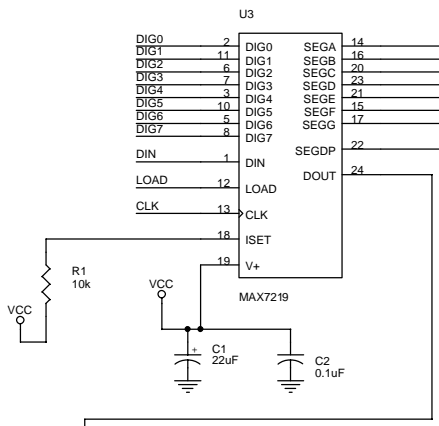


Title		
DUAL CHANNEL DIGITAL VOLT METER		
Size	Document Number	Rev
B	<Doc>	1
Date:	Monday, September 05, 2011	Sheet 1 of 1

Copyright (C) 2011 by Wichit Sirichote, wicit.sirichote@gmail.com



+5V |-----| VCC

Copyright (C) 2011 by Wichit Sirichote, wchit.sirichote@gmail.com

Title		
16-DIGIT LED DISPLAY BOARD		
Size	Document Number	Rev
Custom:Doc>		<Rev Codes>
Date:	Saturday, August 20, 2011	Sheet 1 of 1