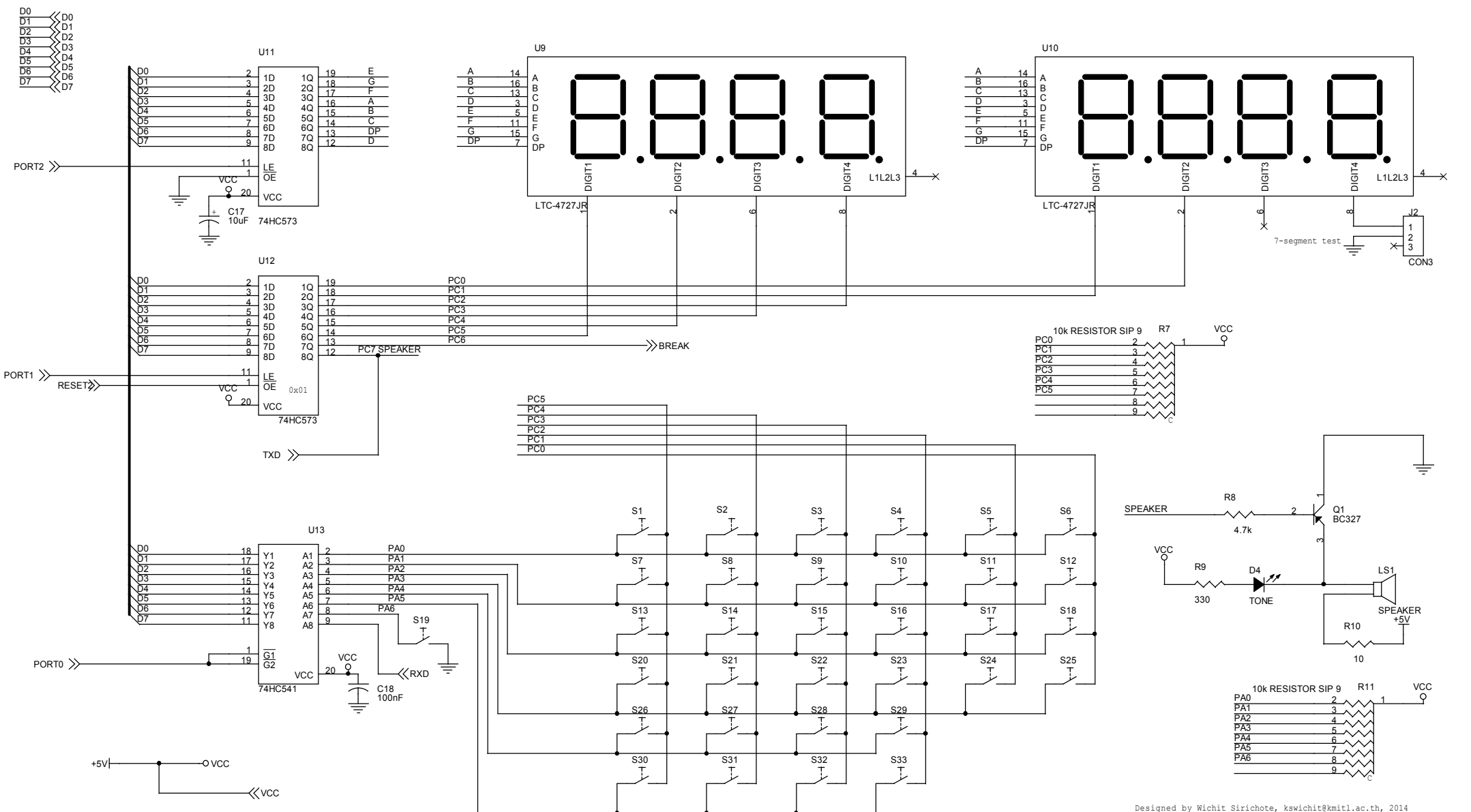


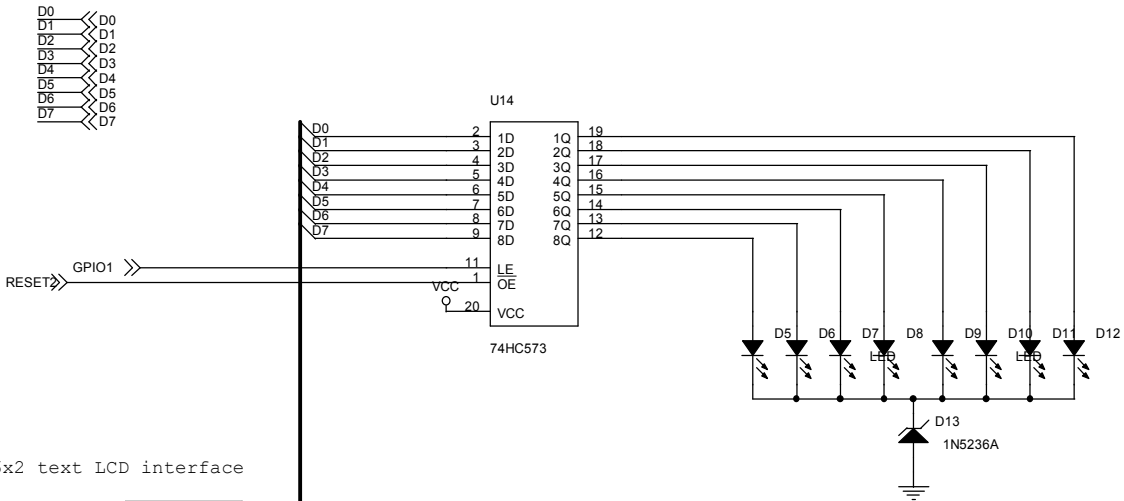
Designed by Wichit Sirichote, kswichit@kmitl.ac.th, 2014

Title		
6502 MICROPROCESSOR KIT		
Size	Document Number	Rev
B	<Doc>	
Date:	Saturday, January 03, 2015	Sheet 1 of 3



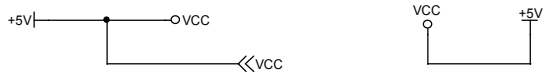
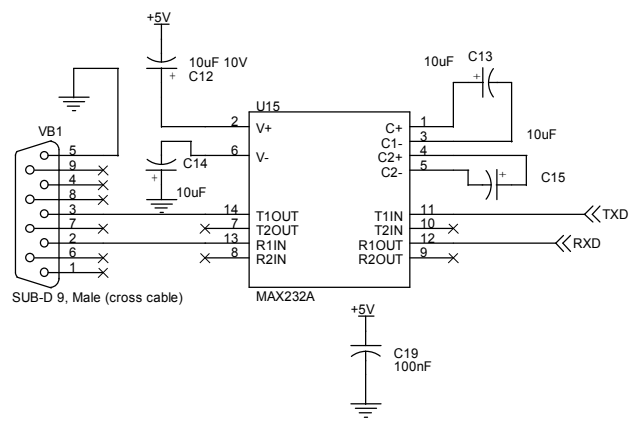
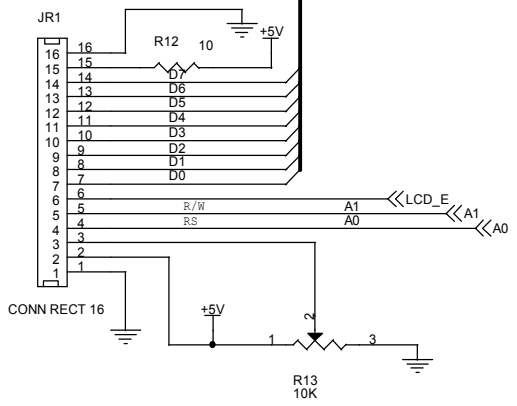
Designed by Wichit Sirichote, kswichit@kmitl.ac.th, 2014

Title		
6502 MICROPROCESSOR KIT		
Size	Document Number	Rev
B	<Doc>	1
Date:	Saturday, January 03, 2015	Sheet 2 of 3



8-bit Binary display LED x8

16x2 text LCD interface



Designed by Wichit Sirichote, kswichit@kmitl.ac.th, 2014

Title		
6502 MICROPROCESSOR KIT		
Size B	Document Number <Doc>	Rev <RevCode>
Date:	Saturday, January 03, 2015	Sheet 3 of 3